

Pipe Collars Z120 Edition



- Approved worldwide and recognised by independent authorities
- Up to 2 hours fire resistance
- Available in the widest range of sizes for standard and non-standard pipe diameters
- Certification for a wide range of plastic pipes including PVCu, HDPE, MDPE and PP
- Unaffected by moisture or atmospheric carbon dioxide

product description

Abesco Z120 Pipe Collars are designed to maintain the fire resistance of fire rated walls & floors where they are penetrated by plastic pipes.

Abesco Z120 Pipe Collars consist of a zintec steel shell which is fitted around the pipe using the 2 integral 'slidelock' mechanisms. The steel shell contains a heat reactive graphite based intumescent material. Each collar is fastened to the wall using the integral fixing lugs at the base of the unit.

Abesco Z120 Pipe Collars are suitable for use on uPVC, cPVC, HDPE, MDPE & PP plastic pipes up to 160mm diameter.

fire performance table

Installation	Size	Insulation	Integrity
Surface mounting to concrete wall / floor	55-160mm	120 mins	120 mins
Surface mounted to timber floor or stud wall	55-160mm	120 mins	120 mins
Cast in to concrete wall / floor	55-110mm	60 mins	120 mins
Semi cast in to concrete wall / floor	55-110mm	60 mins	120 mins



Abesco Fire Ltd
Laurencekirk Business Park
Laurencekirk
AB30 1EY
Scotland, UK

Tel: +44 1561 377766
Fax: +44 1561 378887
Email: technical@abesco.net
Web: www.abesco.net

As part of our policy of ongoing improvement, we reserve the right to modify, alter or change product specifications without giving notice. Product illustrations are representations only. All information contained in this document is provided for guidance only, and as Abesco has no control over the installation methods of the products, or of the prevailing site conditions, no warranties expressed or implied are intended to be given as to the actual performance of the products mentioned or referred to, and no liability whatsoever will be accepted for any loss, damage or injury arising from the use of the information given of products mentioned or referred to herein.

Pipe Collars Z120 Edition

typical dimensions

Size	Height	Shell O/D
55-140 mm	50 mm	*
160 mm	60 mm	186 mm

* Depending on Pipe Collar internal diameter

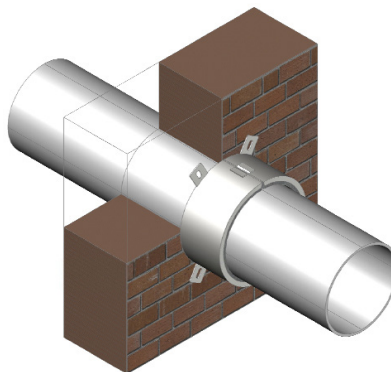
testing

Tested in accordance with the methodology and criteria described in:

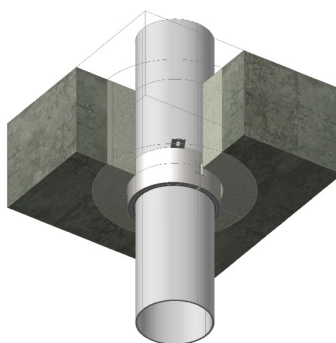
- BS 476 part 20
- AS 1530-4

for up to 2 hours fire resistance

typical installations



Surface mounted to concrete wall



Semi cast in to concrete floor

ordering information

Code	Description	Case
07055	55mm Z120 Pipe Collar	30
07060	60.3mm Z120 Pipe Collar	30
07063	63mm Z120 Pipe Collar	30
07065	65mm Z120 Pipe Collar	30
07070	70mm Z120 Pipe Collar	30
07075	75mm Z120 Pipe Collar	30
07082	82mm Z120 Pipe Collar	30

Code	Description	Case
07090	90mm Z120 Pipe Collar	30
07110	110mm Z120 Pipe Collar	30
07114	114.3mm Z120 Pipe Collar	30
07125	125mm Z120 Pipe Collar	22
07140	140mm Z120 Pipe Collar	16
07160	160mm Z120 Pipe Collar	12